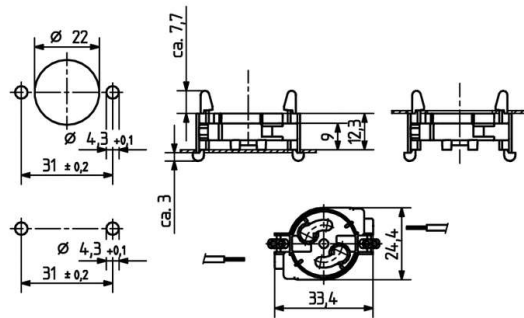
 Create pdf

Lampholders and starter holders

26.514.5011

Starter holders



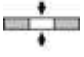


colour	pkg.	wt.	part no.
white	500	3 g	26.514.5011.50

Approval: additional cULus (660W /250V)

Snap in pins above and below

Housing: PC

T 100		 18 AWG 0.5 -1.0 mm ²	 0.5 - 1.1
-------	---	---	--

Document generated on: Mo, 6. February 2017 - 11:24